

EFS 710

Digital Engine Flush



OPERATION MANUAL FOR EFS 710

WARNING: Safety or death may result from electrical shock

1. Always install a New External Filter before engine service
2. Hook up Engine Flush Machine to 12 VOLT Power and Stop Air, turn POWER switch to ON
3. If using Fuel Injector plug use only 1/8" FUEL Injector, never longer than 1/8"
4. Clean Injector and remove filter, select appropriate filter adapter and oil gun being
5. Hook up BLUE HOSE to filter adapter CLEAR HOSE to oil gun fitting

ATTENTION: Do not start the engine

- A. Select Engine size by pressing for example 4 cyl, then press START
7. The machine will start the appropriate program for engine size and will display DONE when finished

Initial Setup

1. Remove the clear filter housing and install the external filter into the clear housing make sure to use an o-ring when replacing the clear housing, spray the hose down on the EFS, hook external filter holder and adjust appropriate filter

Initial Filling of Fluid Tank

1. Attach an open end hose adapter to the CLEAR HOSE plus the hose into fluid can, press Fluid Tank FILL before then press START complete operation

Used Fluid Replacement After Approx 45 Services

1. Attach an open end hose adapter to the BLUE HOSE plus the hose into fluid can, press Fluid Tank DRAIN before then press START
2. Attach an open end hose adapter to the CLEAR HOSE plus the hose into fluid can, press Fluid Tank FILL before then press START complete operation
3. Remove the clear filter housing then remove used filter, install new external filter into the clear housing make sure to use an o-ring when replacing the clear housing, spray the hose down on the EFS, hook external filter holder and remove used filter then attach appropriate filter holder back to use a plug

Error Codes:

E1 - External Fuel Tank	E2 - Fuel Pump NOT Working	E3 - Temp Sensor NOT Working (Press STOP to Continue)
E4 - Fuel Tank NOT Working	E5 - Fuel Tank Full	E6 - Fuel Tank Low Oil
E7 - External Sensor NOT Working	E8 - Filter Load to Low	

5042

5004

5043

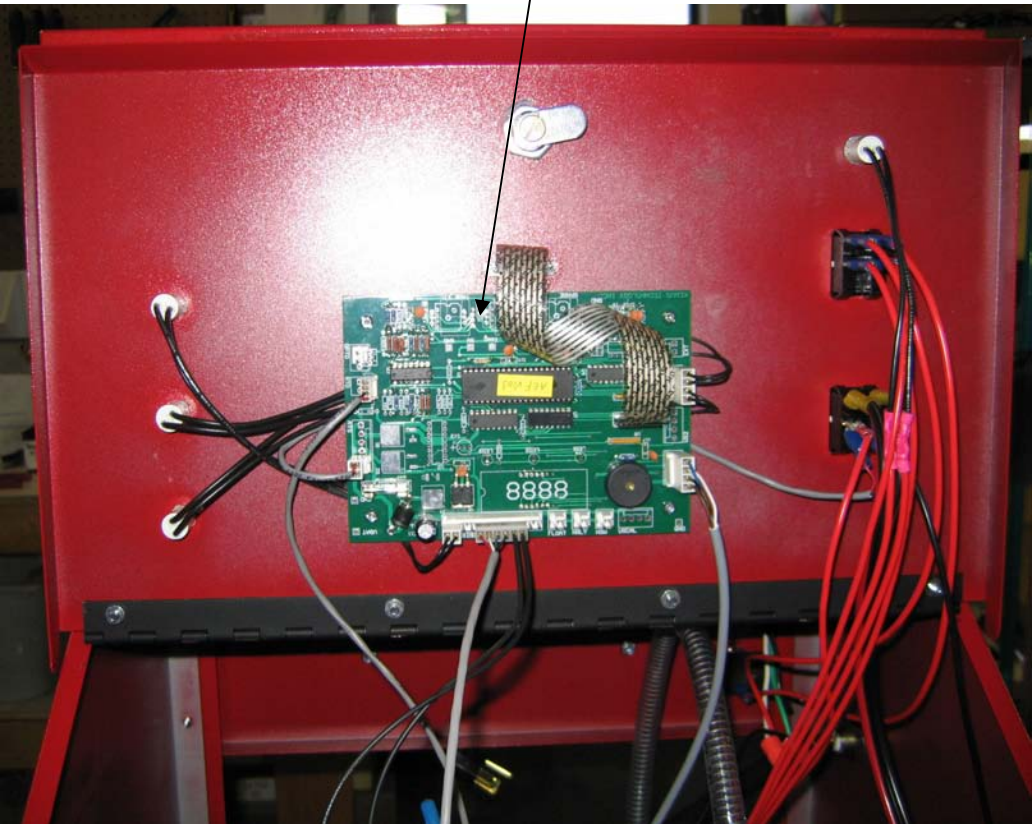
5043-1

2019

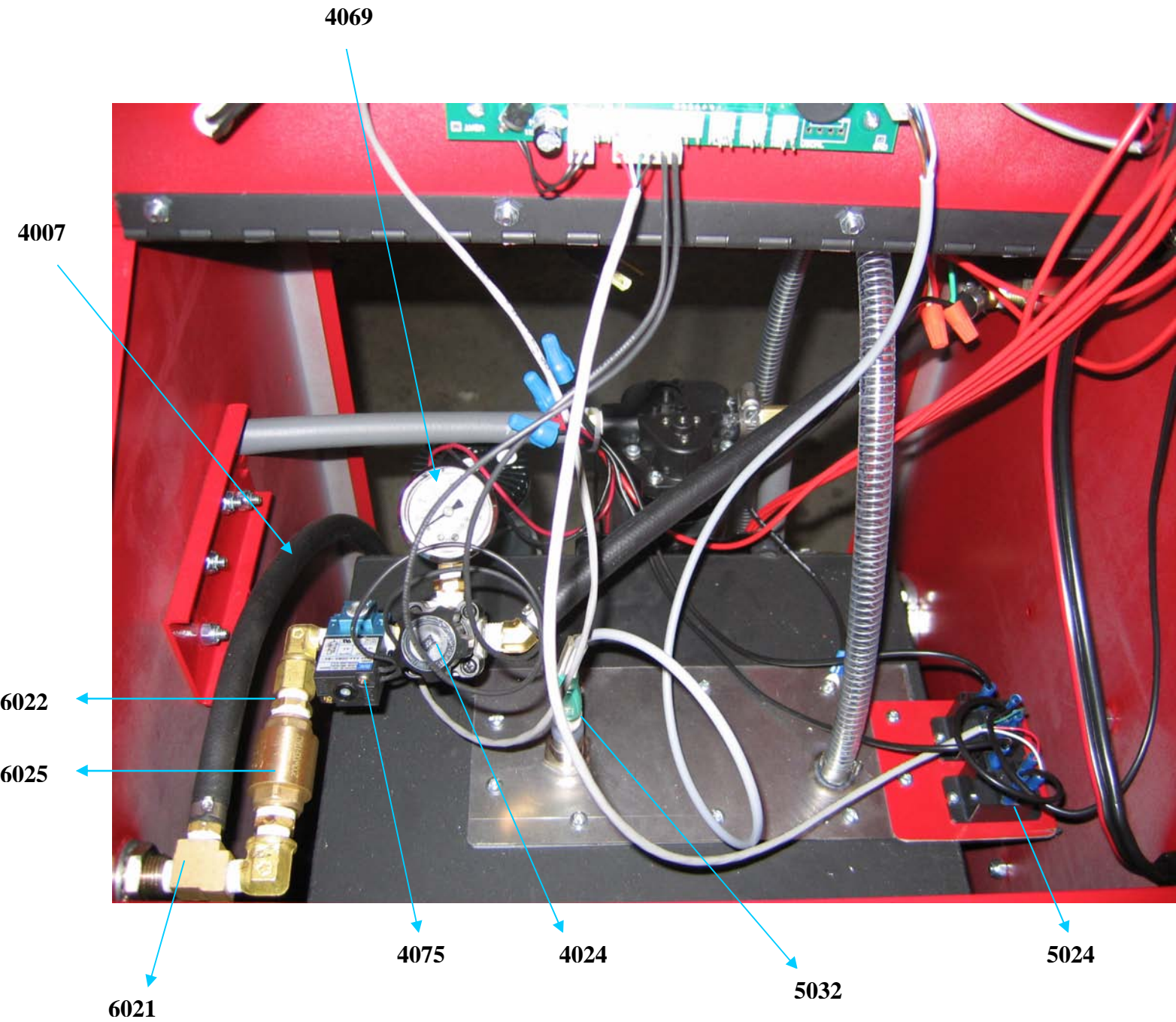
2028

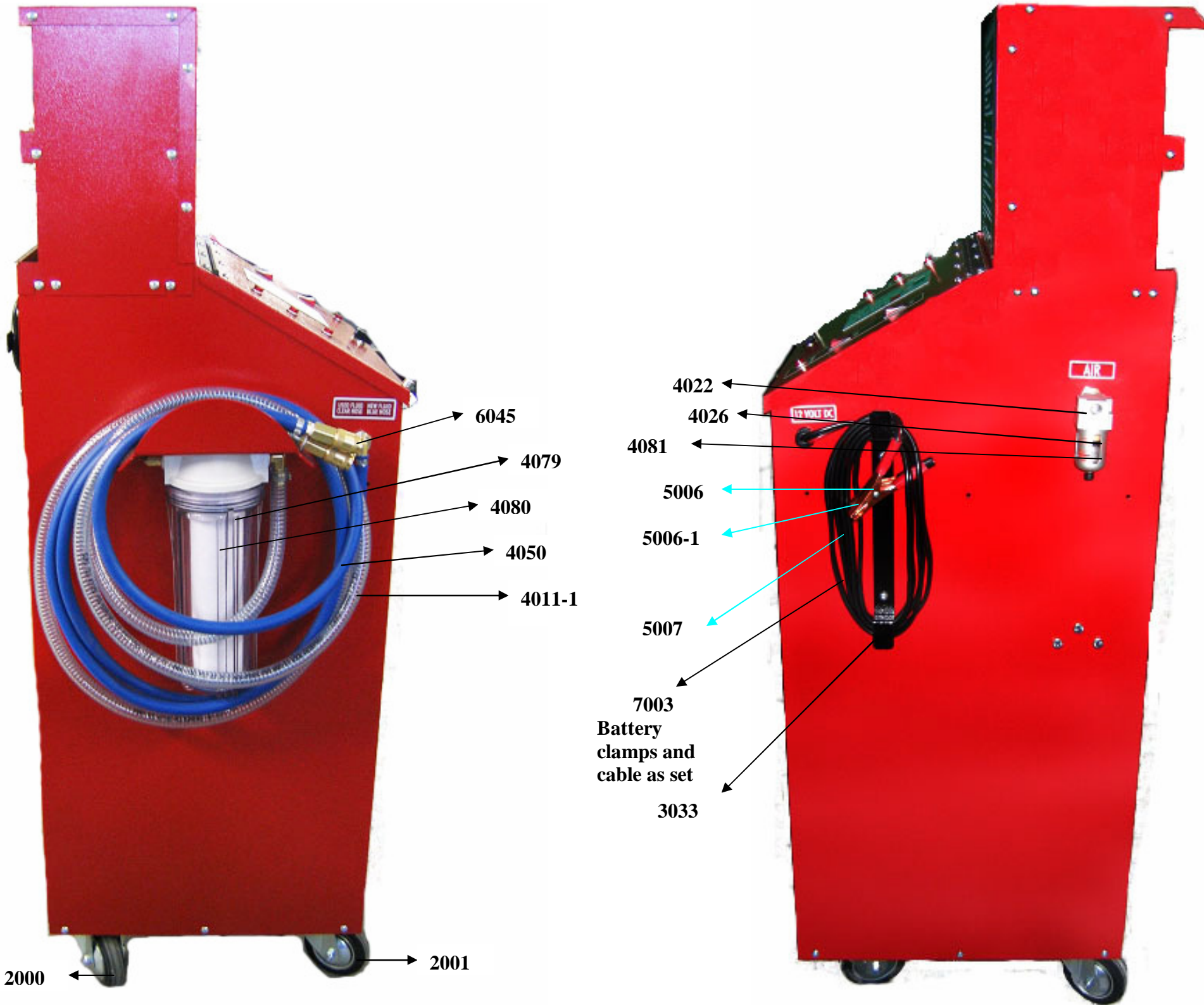
EFSS
710
DIGITAL ENGINE FLUSH

2014



5034





2000

2001

6045

4079

4080

4050

4011-1

4022

4026

4081

5006

5006-1

5007

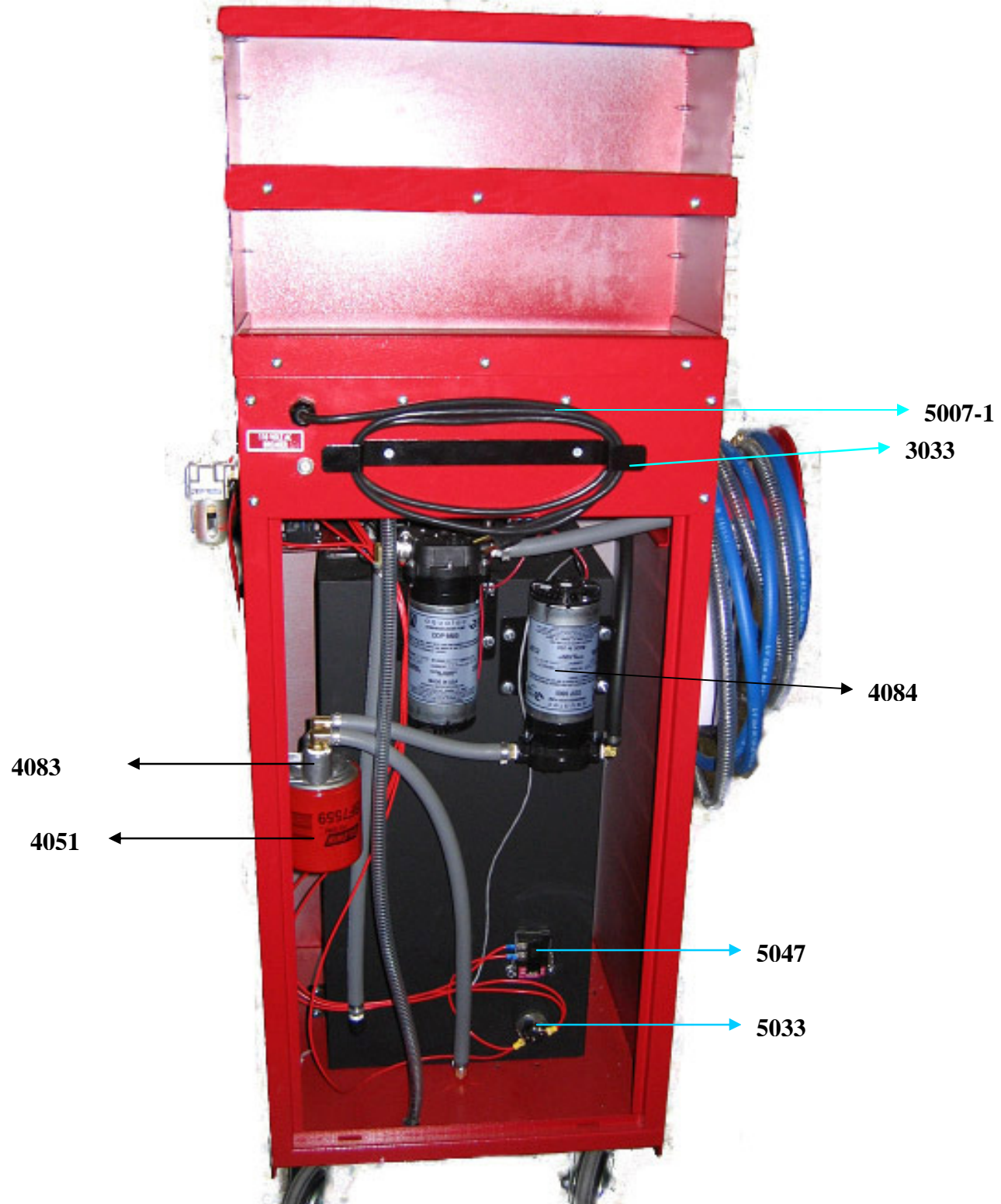
7003

Battery
clamps and
cable as set

3033

AIR

12 VOLT DC



5007-1

3033

4084

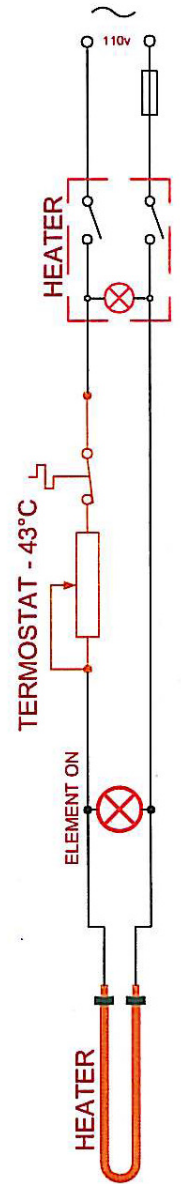
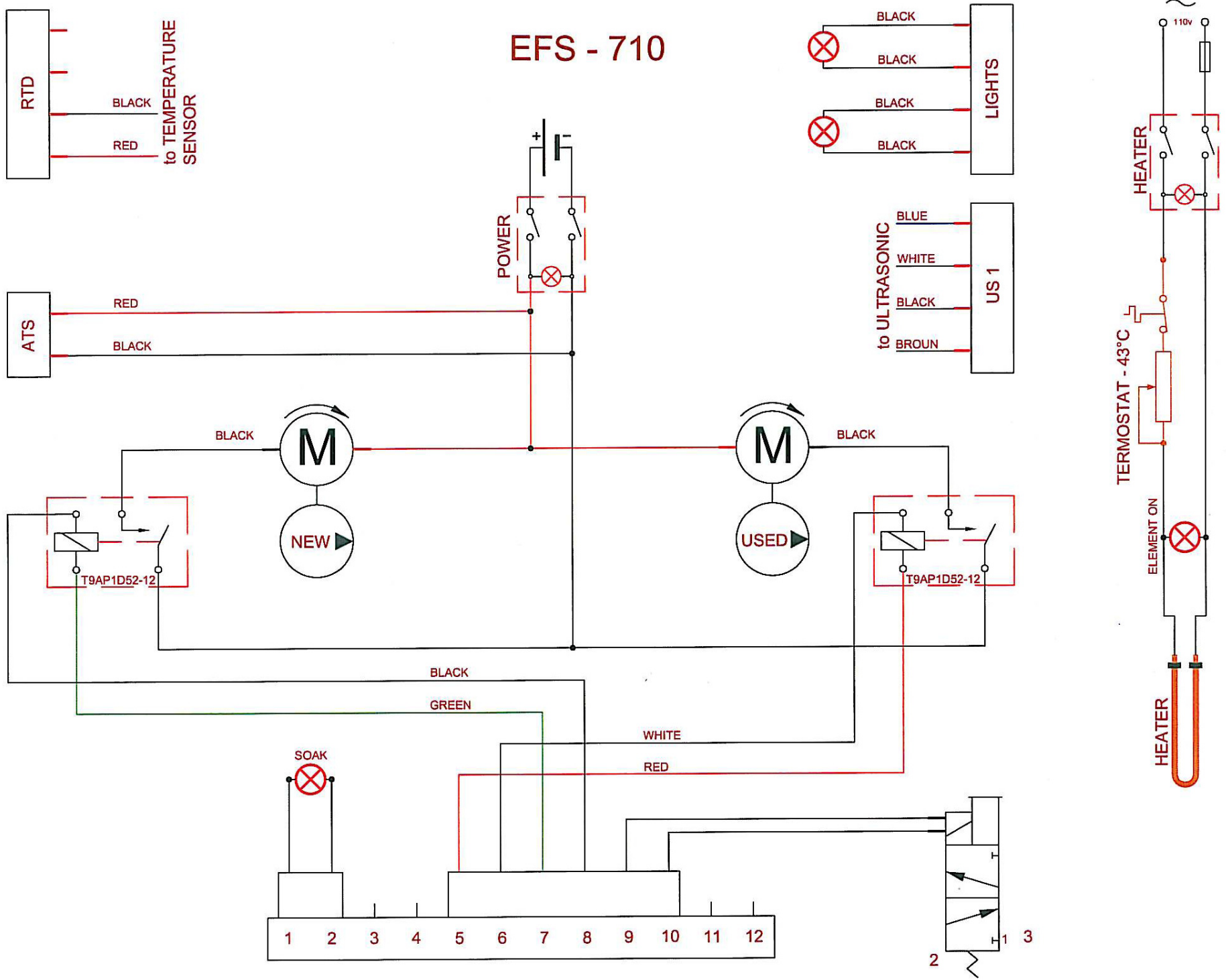
4083

4051

5047

5033

EFS - 710



EFS 710 Engine Flush System

Hardware

2000	4" Rigid Caster
2001	4" Swivel Caster
2014	Kenvo Decal Kit
2019	Door Latch 90 Degree
2028	Grab Handle w/Chrome Finish w/Mounting hole

Metal

3033	Power Cord Hanger
------	-------------------

Plumbing

4007	3/8" Push-On Black Hose
4011-1	1 1/2" Poly-Spring Hose
4022	Air filter - water separator
4024	Regulator
4026	Replacement Filter Element
4050	3/8" Push-on Blue Hose
4051	Diesel Fuel Filter
4075	Mac Valve - Vacuum Solenoid
4079	Filter Housing
4080	Filter
4081	Replacement Bowl
4083	Filter Base
4084	Pump

Electrical

5004	Key Pad Membrane
5006	Negative Battery Clamp
5006-1	Positive Battery Clamp
5007	14 ga / 2cond outdoor speaker
5007-1	Power Cord
5024	Relay OEM Style
5032	Sensor
5034	Engine Flush Circuit Board
5042	Solico Light
5043	12V Rocker Switch
5043-1	125V Rocker Switch
5047	Thermostat

Fittings

6021	Brass Street Tee
6022	Brass Pipe Hex Nipple
6025	Spring Loaded Check Valve 1/4 Body x 3/8 Hose Barb Universal Quick Coupler
6045	

Assembled Parts

7003	Battery Clamps and Cable as Set
------	---------------------------------