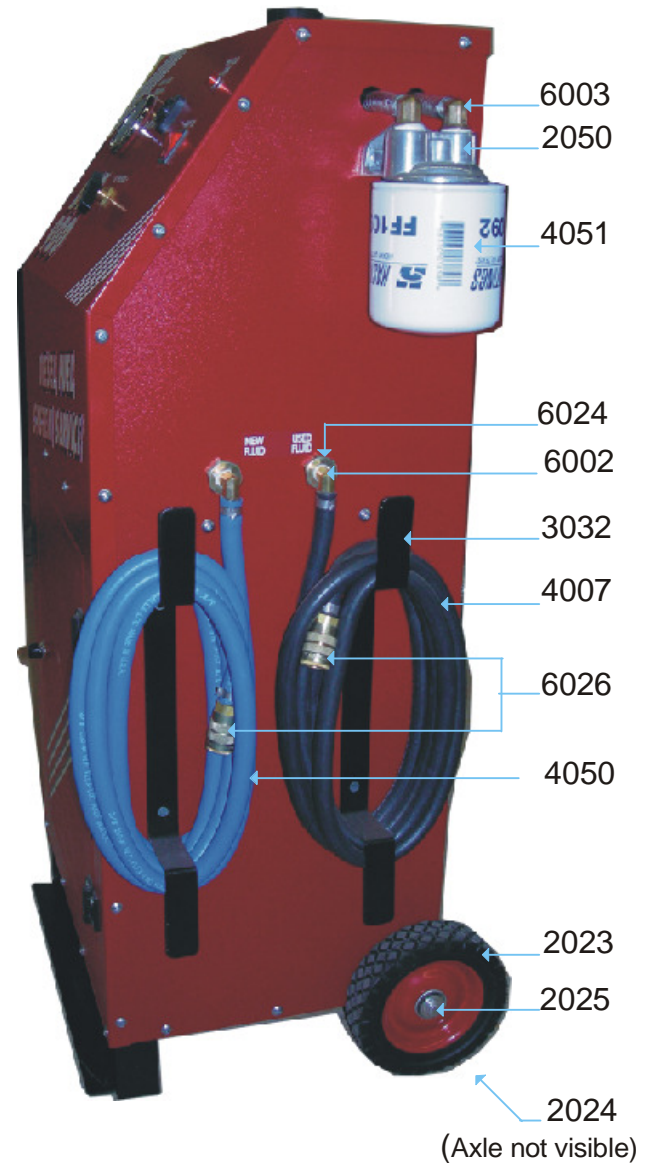
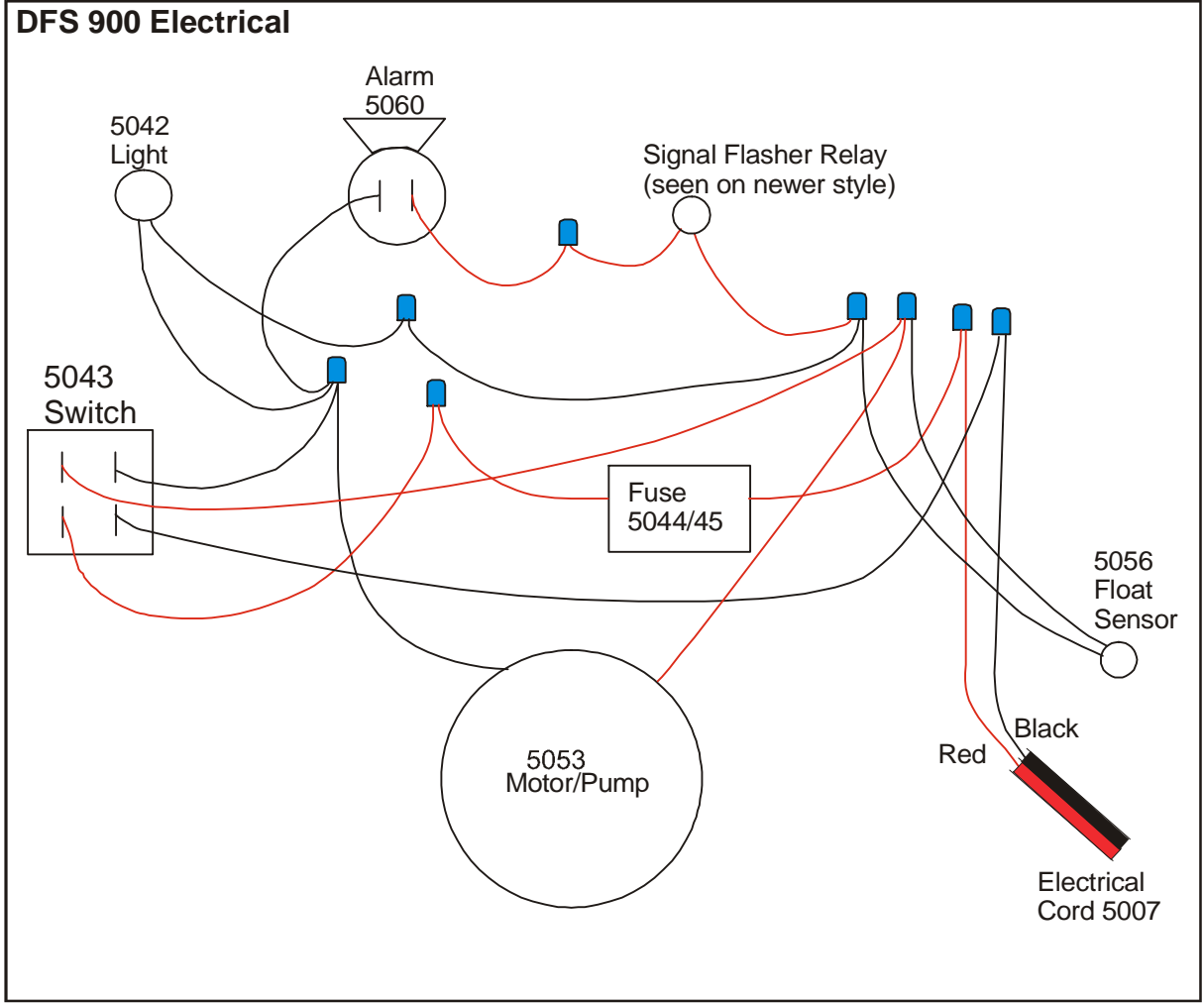
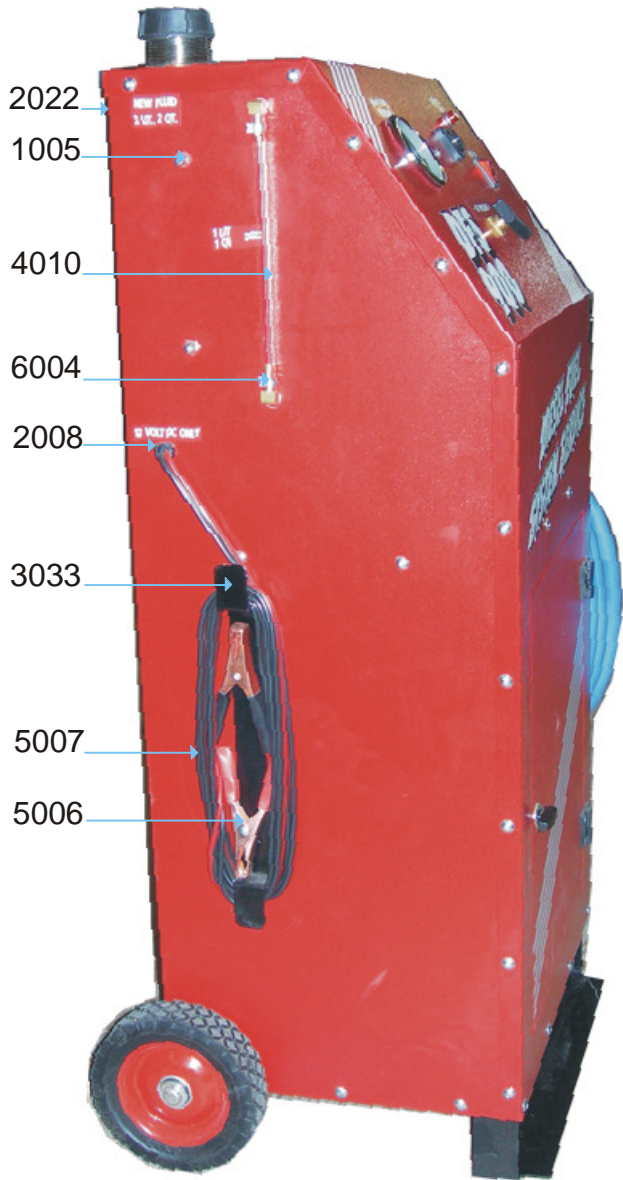
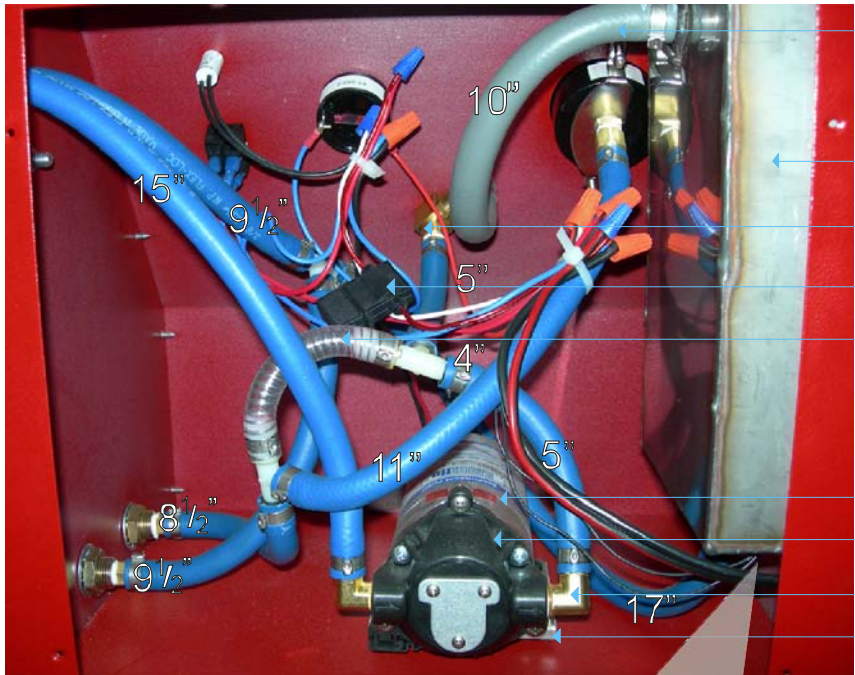


DFS 900 Diesel Fuel System Flush Machine





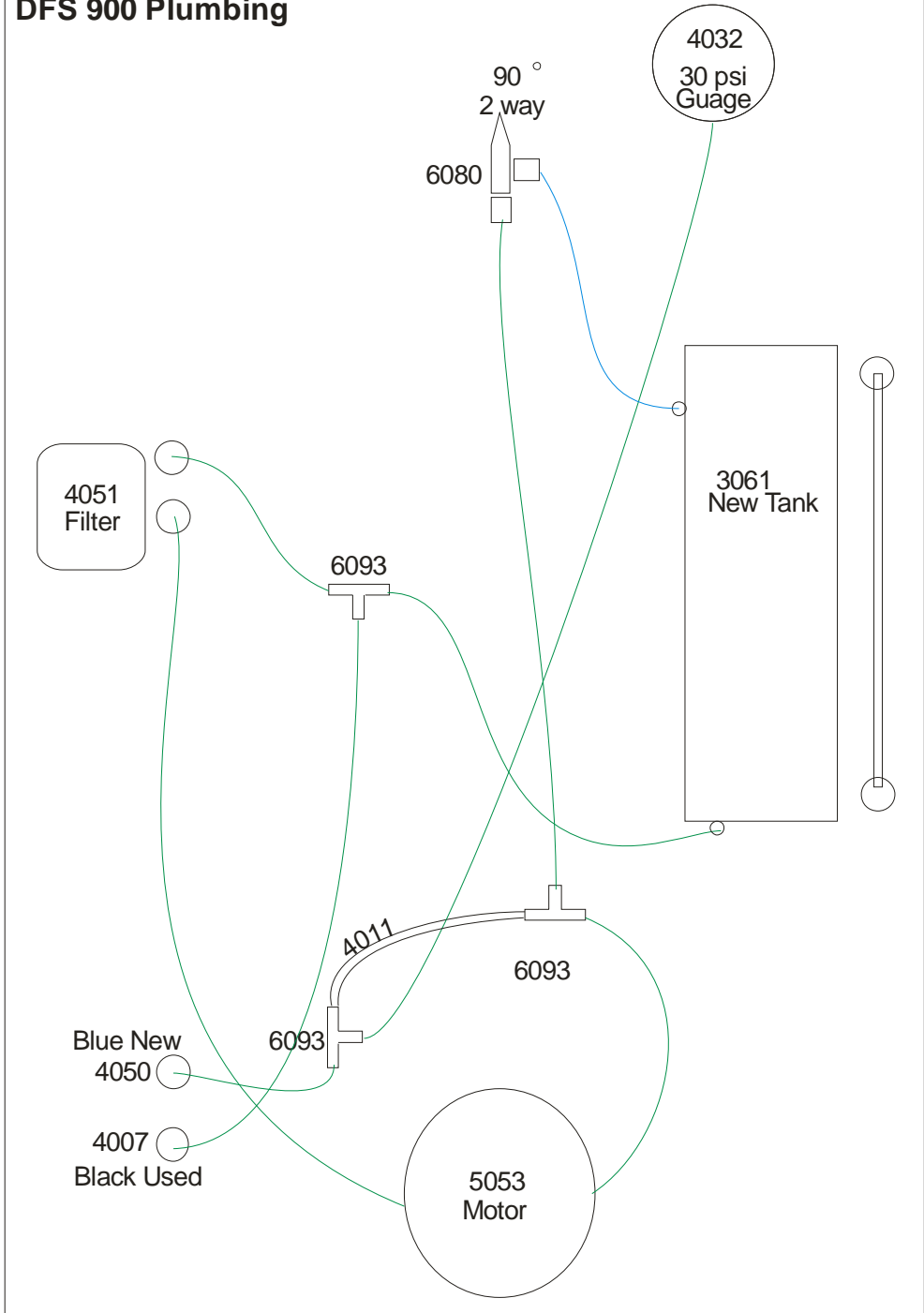


- 4006
- 3061
- 6070
- 5044 (Inside 5045)
- 4011
- 5053
- 5054
- 6003
- 2044



5056

DFS 900 Plumbing



DFS 900 Troubleshooting

6.6

No Power

- Check battery connectors and power cord.
- Check switch.

Pump runs but no fluid

- Check for obstructions in the tank or inlet hose at the pump.

New Fluid Tank Full but Pump does not start

- Check float switch inside new fluid tank.

Fittings for DFS 900



Part # **060-0450**
2 Hose Clamps
Medium and Large



Part # **UF38**
General applications
Utilizing 3/8" fuel line-female



Part # **M45-6**
#6 flare 45° male



Part # **IBW14**
3 Washer for 14 mm banjo



Part # **IBW12**
3 Washer for 12 mm banjo



Part # **UMQD 38** **2 pc**
Universal 3/8" Male Push To Connect



Part # **UM516**
General applications
Utilizing 5/16" fuel line-male



Part # **MP14**
1/4" male NPT



Part # **M45-10**
#10 flare 45° male



Part # **IBN14**
Nut for 14 mm banjo



Part # **IBN12**
Nut for 12 mm banjo



Part # **UFQD38** **2 pc**
3/8 Female TBI and/or port fuel

(GM-Chrysler-Ford)



Part # **UF516**
General applications
Utilizing 5/16" fuel line-female



Part # **M45-4**
#4 flare 45° male



Part # **IB14 2pc**
14 mm Banjo Fitting



Part # **IB12**
12 mm Banjo Fitting



Part # **IB12E**
12 mm 90° Banjo Fitting



Part # **UMQD 516** **2 pc**
Universal 5/16" Male Push To Connect



Part # **UM38**
General applications
Utilizing 3/8" fuel line-male



Parts # **M45-5**
#5 flare 45° male



Part # **IBB14**
Bolt for 14 mm banjo



Part # **IBB12**
Bolt for 12 mm banjo



Part # **UFQD516** **2 pc**
5/16 Female TBI and/or port fuel

(GM-Chrysler-Ford)



Part # **UFQD12**
Universal Quick Disconnect Female 1/2



Part # **UMQD12**
Universal 1/2 Male Push to Connect



Part # **LOOP**
Forms "tank to tank" loop on all vehicles.
Used to extend vehicles return line during diagnostics.



Part # **UC516**
5/16" Standard Flare,
7/16"-24 GMC



Part # **UC38**
3/8" Standard Flare,
5/8"-24 GMC



Part # **UCF516**
5/16" Standard Female
Flare 7/16"-20 GMC



Part # **UCF38**
3/8" Standard
Female
Flare 5/8"-20 GMC

DFS 900 Diesel Fuel System

6.1a

Fasteners

1000	Quadrex Screws for body assembly
1005	Acorn Nut

Hardware

2008	Power Cord Strain Relief
2015	Pressure Cap Plastic
2020	Hinge Nylon Butt Hinge
2021	Door Clasp
2022	Metal Pull Handle
2023	Wheels 6 x 1.5
2024	Aluminum Axle
2025	Steel Wheel Cap
2044	Pump Bracket with Rubber Gromets
2050	Metal Bracket for Diesel Fuel Filter
2051	DFS Decal Package

Metal Body Parts

3030	Bottom Brace
3032	Hose Hangers - 15" Long 2 1/2 " Deep
3033	Power Cord Hanger - 11 3/4" Long 1" Deep
3060	DFS Metal Body
3061	DFS Metal New Fluid Tank

Plumbing

4006	1/2" Grey Drain Hose
4007	3/8" push on hose Black
4010	3/8" id kuri tech polyurethane tubing
4011	3/8" id Poly Spring Hose
4032	2" 30 psi Gauge
4050	3/8" push on Blue Hose
4051	Diesel Fuel Filter

Electrical

5006	Battery Clamps
5007	Power Cord
5018/19	Marrets
5042	Light (Solico)
5043	4 Prong Switch w/light
5044	Fuse Holder 18 guage
5045	Fuse 10 amp
5053	Electrical Motor and Pump Assembly for DFS
5054	Pump for DFS
5056	Float Sensor Switch
5060	Low Level Beeper

Fittings

6002	3/8" Hose Barb 1/4" Pipe Thread in a 90°
6003	3/8" Hose Barb 3/8" Pipe Thread in a 90°
6004	1/4" Hose Barb 1/8" Pipe Thread in a 90°
6024	1/4" Bulkhead Coupler
6026	Female Quick Connect w/3/8 hose barb
6070	3/8" Hose Barb 1/4" Pipe Thread
6080	1/4" 2 Way 90° Ball Valve Panel Mount

Assembled Parts

7003	Battery Clamps (5006) and Cable (5007) Set
7040	DFS 900 Black Exchange Hose Assembly
7041	DFS 900 Blue Exchange Hose Assembly

Fittings

- 060-0450 2 - Hose clamps medium and large
- UF14
- UF516
- UF38
- UM14
- UM516
- UM38
- MP14 1 - 1/4" Male NPT
- M45-4 1 - #4 Flare 45° Male
- M45-5 1 - #5 Flare 45° Male
- M45-6 1 - #6 Flare 45° Male
- M34-10 1 - #10 Flare 45° Male
- IB14
- IBB14 - IBW14 - IBN14 1 - Connects 14mm banjo fittings
- IB12E
- IB12
- IBB12 - IBW12 - IBN12 1 - Connects 12mm banjo fittings
- UMQD38
- UMQD516